



CAINTON

Change is a perpetual motion

IP68/GR487 Protection DC Fan

- Code Rule - p.1
- DC Axial Fan - pp. 2 - 65

Code Rule

Fan Type	Fan imension (mm)		Voltage	Speed	Bearing	Connection	Function	Mold Model	IP Level
	Length	Thickness							
AXD: DC Axial Fan			V12: 12VDC	HX: Higher than Extreme	B: Ball Type	C: Connector	N1: FG	-Mold Model	-IP Level
			V24: 24VDC	XH: Extremely High			N2: RD		
			V48: 48VDC	HH: Much Higher			N3: PWM		
			FV: Full Voltage	HR: Higher			N4: Voltage Control		
				H: High			N5: FG+PWM		
				M: Medium			N6: RD+PWM		
				L: Low			N7: FG+VC		
				LR: Lower			N8: RD+VC		
				LW: Much Lower					
				XL: Extremely Low					
				LX: Lower than Extreme					

DC Axial Fan

40x40x28mm - C Type

- Housing: Plastic (Flammability:UL94V-0)
- Impeller: Plastic (Flammability:UL94V-0)
- Bearing: Ball Type
- Protection: IP68/GR487
- Certification: CE, RoHS
- Additional functions are optional



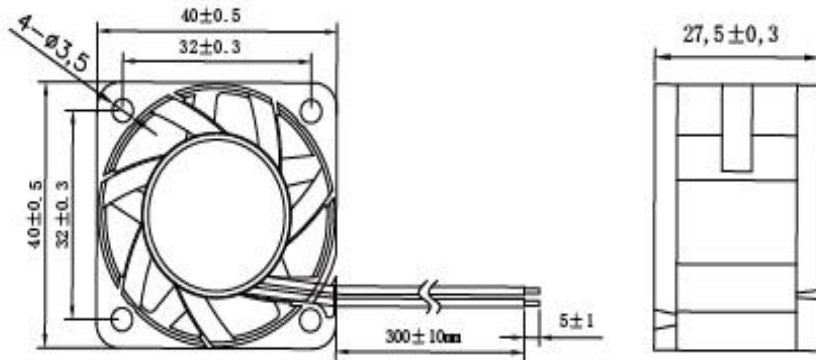
Model	Voltage	Current	Power	Speed	Air Flow		Pressure		Noise
	VDC	Amp	Watt	RPM	CFM	m3/min	mmH2O	InH2O	dB(A)
AXD4028V12H-K3	12	0.9	10.8	20000	26.6	0.753	57.6	2.269	61.3
AXD4028V12HR-K3	12	1.2	14.4	22000	29.7	0.84	71.3	2.808	64.5
AXD4028V24H-K3	24	0.45	10.8	20000	26.6	0.753	57.6	2.269	61.3
AXD4028V24HR-K3	24	0.6	14.4	22000	29.7	0.84	71.3	2.808	64.5

DC Axial Fan

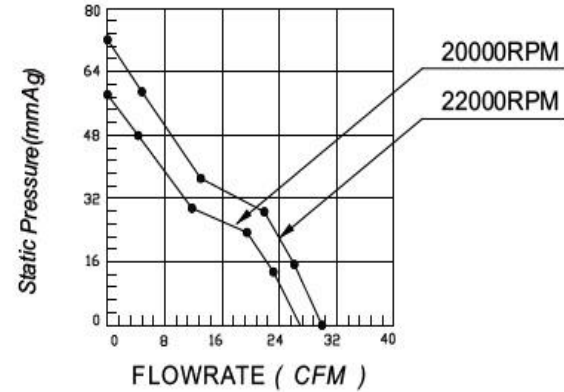
40x40x28mm - C Type

- Dimension:

Unit: mm



- Performance:



DC Axial Fan

40x40x28mm - D Type

- Housing: Plastic (Flammability:UL94V-0)
- Impeller: Plastic (Flammability:UL94V-0)
- Bearing: Ball Type
- Protection: IP68/GR487
- Certification: CE, RoHS
- Additional functions are optional



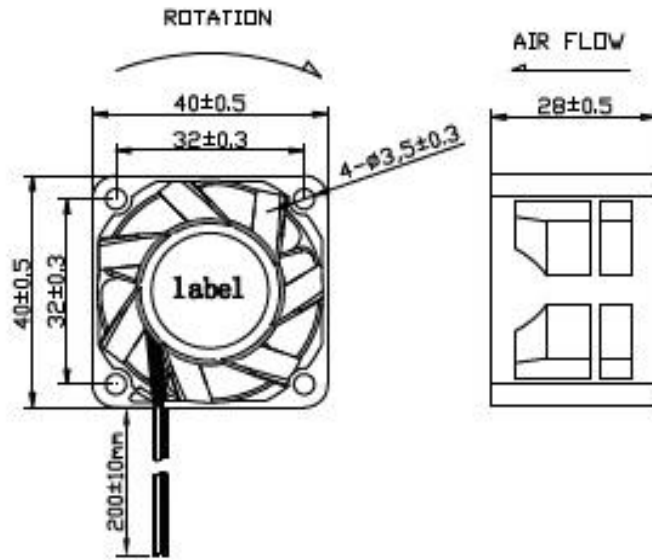
Model	Voltage	Current	Power	Speed	Air Flow		Pressure		Noise
	VDC	Amp	Watt	RPM	CFM	m3/min	mmH2O	InH2O	dB(A)
AXD4028V12H-K4	12	2.8	33.6	32000	38.5	1.09	163.5	6.44	72.2
AXD4028V24H-K4	24	1.4	33.6	32000	38.5	1.09	163.5	6.44	72.2

DC Axial Fan

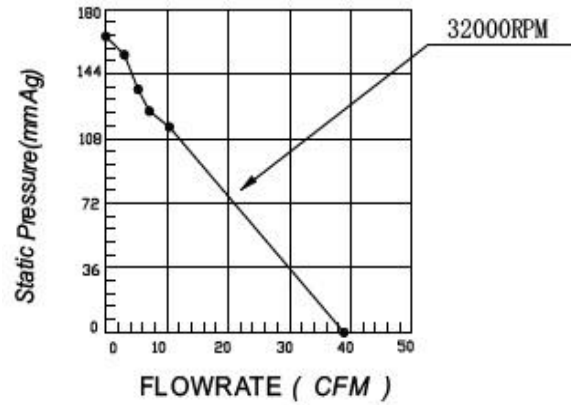
40x40x28mm - D Type

- Dimension:

Unit: mm



- Performance:



DC Axial Fan

60x60x15mm

- Housing: Plastic (Flammability:UL94V-0)
- Impeller: Plastic (Flammability:UL94V-0)
- Bearing: Ball Type
- Protection: IP68/GR487
- Certification: CE, RoHS
- Additional functions are optional



Model	Voltage	Current	Power	Speed	Air Flow		Pressure		Noise
	VDC	Amp	Watt	RPM	CFM	m3/min	mmH2O	InH2O	dB(A)
AXD6015V5LR-K	5	0.14	0.72	2000	9.4	0.268	1.34	0.053	21.1
AXD6015V5L-K	5	0.19	0.96	3000	11.5	0.328	1.86	0.073	24.8
AXD6015V5M-K	5	0.24	1.2	3500	14.2	0.406	2.61	0.103	29.8
AXD6015V5H-K	5	0.29	1.44	4000	16.4	0.468	3.5	0.138	31.2

DC Axial Fan

60x60x15mm

- Housing: Plastic (Flammability:UL94V-0)
- Impeller: Plastic (Flammability:UL94V-0)
- Bearing: Ball Type
- Protection: IP68/GR487
- Certification: CE, RoHS
- Additional functions are optional



Model	Voltage	Current	Power	Speed	Air Flow		Pressure		Noise
	VDC	Amp	Watt	RPM	CFM	m3/min	mmH2O	InH2O	dB(A)
AXD6015V12XL-K	12	0.06	0.72	2000	9.4	0.268	1.34	0.053	21.1
AXD6015V12LW-K	12	0.08	0.96	3000	11.5	0.328	1.86	0.073	24.8
AXD6015V12LR-K	12	0.1	1.2	3500	14.2	0.406	2.61	0.103	29.8
AXD6015V12L-K	12	0.12	1.44	4000	16.4	0.468	3.5	0.138	31.2

DC Axial Fan

60x60x15mm

- Housing: Plastic (Flammability:UL94V-0)
- Impeller: Plastic (Flammability:UL94V-0)
- Bearing: Ball Type
- Protection: IP68/GR487
- Certification: CE, RoHS
- Additional functions are optional



Model	Voltage	Current	Power	Speed	Air Flow		Pressure		Noise
	VDC	Amp	Watt	RPM	CFM	m3/min	mmH2O	InH2O	dB(A)
AXD6015V12M-K	12	0.14	1.68	4500	18.3	0.524	4.35	0.171	34.8
AXD6015V12H-K	12	0.16	1.92	5000	20.5	0.584	5.34	0.21	36.6
AXD6015V12HR-K	12	0.18	2.16	5500	22.4	0.64	6.35	0.25	39
AXD6015V12HH-K	12	0.2	2.4	6000	21.1	0.603	7.33	0.289	41

DC Axial Fan

60x60x15mm

- Housing: Plastic (Flammability:UL94V-0)
- Impeller: Plastic (Flammability:UL94V-0)
- Bearing: Ball Type
- Protection: IP68/GR487
- Certification: CE, RoHS
- Additional functions are optional



Model	Voltage	Current	Power	Speed	Air Flow		Pressure		Noise
	VDC	Amp	Watt	RPM	CFM	m3/min	mmH2O	InH2O	dB(A)
AXD6015V24XL-K	24	0.03	0.72	2000	9.4	0.268	1.34	0.053	21.1
AXD6015V24LW-K	24	0.04	0.96	3000	11.5	0.328	1.86	0.073	24.8
AXD6015V24LR-K	24	0.05	1.2	3500	14.2	0.406	2.61	0.103	29.8
AXD6015V24L-K	24	0.06	1.44	4000	16.4	0.468	3.5	0.138	31.2

DC Axial Fan

60x60x15mm

- Housing: Plastic (Flammability:UL94V-0)
- Impeller: Plastic (Flammability:UL94V-0)
- Bearing: Ball Type
- Protection: IP68/GR487
- Certification: CE, RoHS
- Additional functions are optional



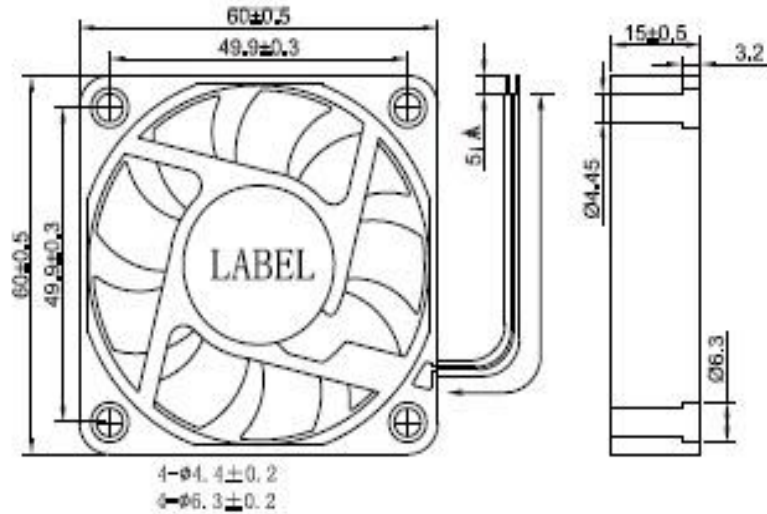
Model	Voltage	Current	Power	Speed	Air Flow		Pressure		Noise
	VDC	Amp	Watt	RPM	CFM	m3/min	mmH2O	InH2O	dB(A)
AXD6015V24M-K	24	0.07	1.68	4500	18.3	0.524	4.35	0.171	34.8
AXD6015V24H-K	24	0.08	1.92	5000	20.5	0.584	5.34	0.21	36.6
AXD6015V24HR-K	24	0.09	2.16	5500	22.4	0.64	6.35	0.25	39
AXD6015V24HH-K	24	0.1	2.4	6000	21.1	0.603	7.33	0.289	41

DC Axial Fan

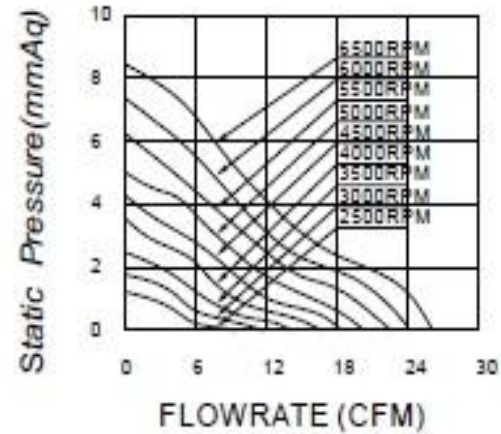
60x60x15mm

- Dimension:

Unit: mm



- Performance:



DC Axial Fan

60x60x25mm - B Type

- Housing: Plastic (Flammability:UL94V-0)
- Impeller: Plastic (Flammability:UL94V-0)
- Bearing: Ball Type
- Protection: IP68/GR487
- Certification: CE, RoHS
- Additional functions are optional



Model	Voltage	Current	Power	Speed	Air Flow		Pressure		Noise
	VDC	Amp	Watt	RPM	CFM	m3/min	mmH2O	InH2O	dB(A)
AXD6025V5XL-K2	5	0.24	1.2	3000	15.6	0.443	2.92	0.115	26
AXD6025V5LW-K2	5	0.36	1.8	3500	18.4	0.523	3.87	0.152	28.7
AXD6025V5LR-K2	5	0.48	2.4	4000	21.2	0.602	5.15	0.203	31.8
AXD6025V5L-K2	5	0.6	3	4500	24.1	0.685	6.46	0.254	35.5
AXD6025V5M-K2	5	0.72	3.6	5000	26.7	0.758	7.94	0.313	38

DC Axial Fan

60x60x25mm - B Type

- Housing: Plastic (Flammability:UL94V-0)
- Impeller: Plastic (Flammability:UL94V-0)
- Bearing: Ball Type
- Protection: IP68/GR487
- Certification: CE, RoHS
- Additional functions are optional



Model	Voltage	Current	Power	Speed	Air Flow		Pressure		Noise
	VDC	Amp	Watt	RPM	CFM	m3/min	mmH2O	InH2O	dB(A)
AXD6025V12XL-K2	12	0.1	1.2	3000	15.6	0.443	2.92	0.115	26
AXD6025V12LW-K2	12	0.15	1.8	3500	18.4	0.523	3.87	0.152	28.7
AXD6025V12LR-K2	12	0.2	2.4	4000	21.2	0.602	5.15	0.203	31.8
AXD6025V12L-K2	12	0.25	3	4500	24.1	0.685	6.46	0.254	35.5
AXD6025V12M-K2	12	0.3	3.6	5000	26.7	0.758	7.94	0.313	38

DC Axial Fan

60x60x25mm - B Type

- Housing: Plastic (Flammability:UL94V-0)
- Impeller: Plastic (Flammability:UL94V-0)
- Bearing: Ball Type
- Protection: IP68/GR487
- Certification: CE, RoHS
- Additional functions are optional



Model	Voltage	Current	Power	Speed	Air Flow		Pressure		Noise
	VDC	Amp	Watt	RPM	CFM	m3/min	mmH2O	InH2O	dB(A)
AXD6025V12H-K2	12	0.35	4.2	5500	29.2	0.827	9.23	0.364	39.9
AXD6025V12HR-K2	12	0.38	4.56	6000	31.8	0.902	11.15	0.439	42.2
AXD6025V12HH-K2	12	0.4	4.8	6500	34.6	0.982	13.09	0.515	44.8
AXD6025V12XH-K2	12	0.45	5.4	7000	37	1.048	14.82	0.583	46
AXD6025V12HX-K2	12	0.5	6	7500	39.5	1.119	16.83	0.663	49.5

DC Axial Fan

60x60x25mm - B Type

- Housing: Plastic (Flammability:UL94V-0)
- Impeller: Plastic (Flammability:UL94V-0)
- Bearing: Ball Type
- Protection: IP68/GR487
- Certification: CE, RoHS
- Additional functions are optional



Model	Voltage	Current	Power	Speed	Air Flow		Pressure		Noise
	VDC	Amp	Watt	RPM	CFM	m3/min	mmH2O	InH2O	dB(A)
AXD6025V24XL-K2	24	0.05	1.2	3000	15.6	0.443	2.92	0.115	26
AXD6025V24LW-K2	24	0.075	1.8	3500	18.4	0.523	3.87	0.152	28.7
AXD6025V24LR-K2	24	0.1	2.4	4000	21.2	0.602	5.15	0.203	31.8
AXD6025V24L-K2	24	0.125	3	4500	24.1	0.685	6.46	0.254	35.5
AXD6025V24M-K2	24	0.15	3.6	5000	26.7	0.758	7.94	0.313	38

DC Axial Fan

60x60x25mm - B Type

- Housing: Plastic (Flammability:UL94V-0)
- Impeller: Plastic (Flammability:UL94V-0)
- Bearing: Ball Type
- Protection: IP68/GR487
- Certification: CE, RoHS
- Additional functions are optional



Model	Voltage	Current	Power	Speed	Air Flow		Pressure		Noise
	VDC	Amp	Watt	RPM	CFM	m3/min	mmH2O	InH2O	dB(A)
AXD6025V24H-K2	24	0.175	4.2	5500	29.2	0.827	9.23	0.364	39.9
AXD6025V24HR-K2	24	0.19	4.56	6000	31.8	0.902	11.15	0.439	42.2
AXD6025V24HH-K 2	24	0.2	4.8	6500	34.6	0.982	13.09	0.515	44.8
AXD6025V24XH-K2	24	0.225	5.4	7000	37	1.048	14.82	0.583	46
AXD6025V24HX-K2	24	0.25	6	7500	39.5	1.119	16.83	0.663	49.5

DC Axial Fan

60x60x25mm - B Type

- Housing: Plastic (Flammability:UL94V-0)
- Impeller: Plastic (Flammability:UL94V-0)
- Bearing: Ball Type
- Protection: IP68/GR487
- Certification: CE, RoHS
- Additional functions are optional



Model	Voltage	Current	Power	Speed	Air Flow		Pressure		Noise
	VDC	Amp	Watt	RPM	CFM	m3/min	mmH2O	InH2O	dB(A)
AXD6025V48LR-K2	48	0.05	2.4	4000	21.2	0.602	5.15	0.203	31.8
AXD6025V48L-K2	48	0.063	3	4500	24.1	0.685	6.46	0.254	35.5
AXD6025V48M-K2	48	0.075	3.6	5000	26.7	0.758	7.94	0.313	38
AXD6025V48H-K2	48	0.088	4.2	5500	29.2	0.827	9.23	0.364	39.9

DC Axial Fan

60x60x25mm - B Type

- Housing: Plastic (Flammability:UL94V-0)
- Impeller: Plastic (Flammability:UL94V-0)
- Bearing: Ball Type
- Protection: IP68/GR487
- Certification: CE, RoHS
- Additional functions are optional



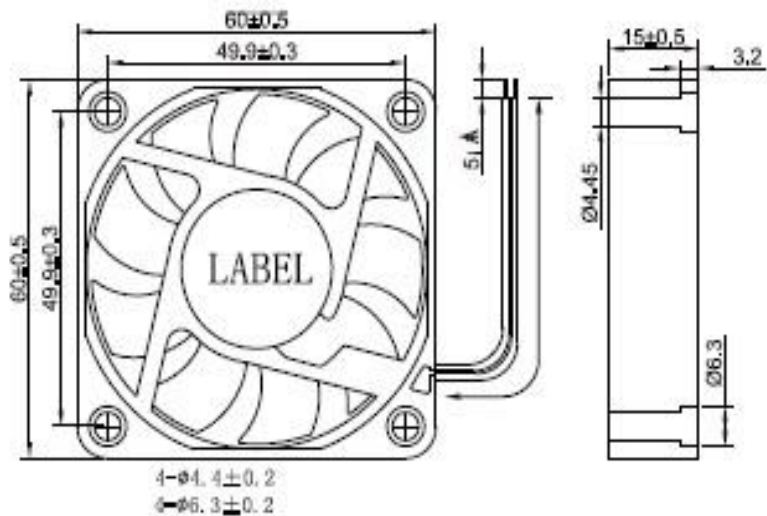
Model	Voltage	Current	Power	Speed	Air Flow		Pressure		Noise
	VDC	Amp	Watt	RPM	CFM	m3/min	mmH2O	InH2O	dB(A)
AXD6025V48HR-K2	48	0.095	4.56	6000	31.8	0.902	11.15	0.439	42.2
AXD6025V48HH-K2	48	0.1	4.8	6500	34.6	0.982	13.09	0.515	44.8
AXD6025V48XH-K2	48	0.113	5.4	7000	37	1.048	14.82	0.583	46
AXD6025V48HX-K2	48	0.125	6	7500	39.5	1.119	16.83	0.663	49.5

DC Axial Fan

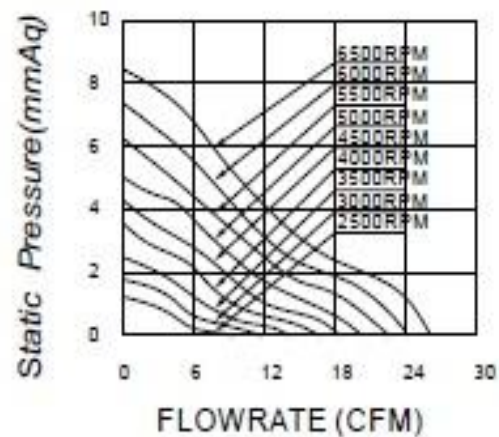
60x60x25mm - B Type

- Dimension:

Unit: mm



- Performance:



DC Axial Fan

80x80x25mm

- Housing: Plastic (Flammability:UL94V-0)
- Impeller: Plastic (Flammability:UL94V-0)
- Bearing: Ball Type
- Protection: IP68/GR487
- Certification: CE, RoHS
- Additional functions are optional



Model	Voltage	Current	Power	Speed	Air Flow		Pressure		Noise
	VDC	Amp	Watt	RPM	CFM	m3/min	mmH2O	InH2O	dB(A)
AXD8025V12LW-K	12	0.08	0.96	2000	24.4	0.69	2	0.08	25.8
AXD8025V12LR-K	12	0.12	1.44	2500	31.4	0.89	2.8	0.11	29.1
AXD8025V12L-K	12	0.15	1.8	3000	37.9	1.07	4	0.16	34.2
AXD8025V12M-K	12	0.25	3	3500	44.3	1.25	5.3	0.21	36.9
AXD8025V12H-K	12	0.3	3.6	4000	50.8	1.44	7	0.28	41.8
AXD8025V12HR-K	12	0.5	6	4500	57.6	1.63	8.5	0.33	45.4
AXD8025V12HH-K	12	0.63	7.56	5000	60.5	1.71	8.9	0.35	46.3

DC Axial Fan

80x80x25mm

- Housing: Plastic (Flammability:UL94V-0)
- Impeller: Plastic (Flammability:UL94V-0)
- Bearing: Ball Type
- Protection: IP68/GR487
- Certification: CE, RoHS
- Additional functions are optional



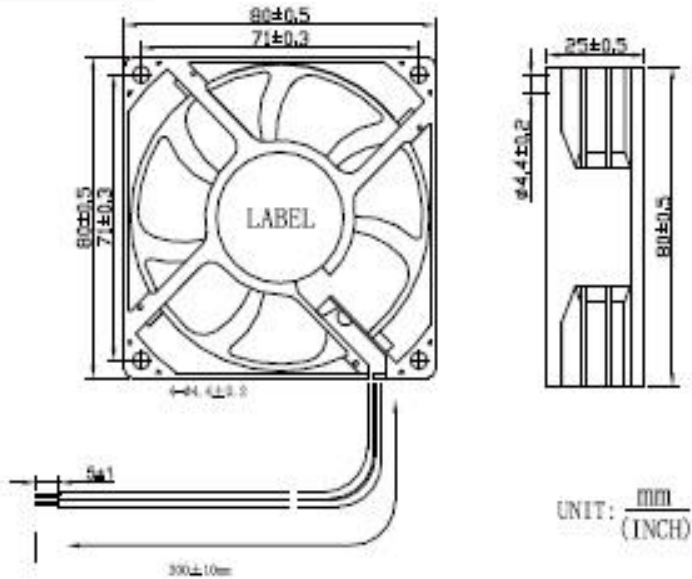
Model	Voltage	Current	Power	Speed	Air Flow		Pressure		Noise
	VDC	Amp	Watt	RPM	CFM	m3/min	mmH2O	InH2O	dB(A)
AXD8025V24L-K	24	0.08	1.92	3000	37.9	1.07	4	0.16	34.2
AXD8025V24M-K	24	0.16	3.84	4000	50.8	1.44	7	0.28	41.8
AXD8025V24H-K	24	0.32	7.68	5000	60.5	1.71	8.9	0.35	46.3
AXD8025V48L-K	48	0.04	1.92	3000	37.9	1.07	4	0.16	34.2
AXD8025V48M-K	48	0.08	3.84	4000	50.8	1.44	7	0.28	41.8
AXD8025V48H-K	48	0.17	8.16	5000	60.5	1.71	8.9	0.35	46.3

DC Axial Fan

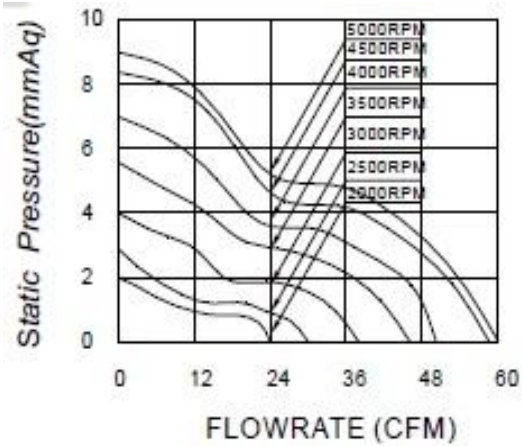
80x80x25mm

- Dimension:

Unit: mm



- Performance:



DC Axial Fan

80x80x25mm - E Type

- Housing: Plastic (Flammability:UL94V-0)
- Impeller: Plastic (Flammability:UL94V-0)
- Bearing: Ball Type
- Protection: IP68/GR487
- Certification: CE, RoHS
- Additional functions are optional



Model	Voltage	Current	Power	Speed	Air Flow		Pressure		Noise
	VDC	Amp	Watt	RPM	CFM	m3/min	mmH2O	InH2O	dB(A)
AXD8025V12LW-K5	12	0.12	1.44	2550	34.8	0.984	3.02	0.119	32.9
AXD8025V12LR-K5	12	0.15	1.8	3000	41.7	1.18	4.25	0.167	35.7
AXD8025V12L-K5	12	0.25	3	3500	48.7	1.378	5.73	0.226	39.4
AXD8025V12M-K5	12	0.3	3.6	4000	54.5	1.543	7.35	0.289	44.6
AXD8025V12H-K5	12	0.36	4.32	4500	62.3	1.765	9.2	0.362	47.3
AXD8025V12HR-K5	12	0.56	6.72	5000	67.5	1.911	11.6	0.457	49.8
AXD8025V12HH-K5	12	0.66	7.92	5500	72.8	2.061	14	0.551	52

DC Axial Fan

80x80x25mm - E Type

- Housing: Plastic (Flammability:UL94V-0)
- Impeller: Plastic (Flammability:UL94V-0)
- Bearing: Ball Type
- Protection: IP68/GR487
- Certification: CE, RoHS
- Additional functions are optional



Model	Voltage	Current	Power	Speed	Air Flow		Pressure		Noise
	VDC	Amp	Watt	RPM	CFM	m3/min	mmH2O	InH2O	dB(A)
AXD8025V24LR-K5	24	0.1	2.4	3000	41.7	1.18	4.25	0.167	35.7
AXD8025V24L-K5	24	0.16	3.84	4000	54.5	1.543	7.35	0.289	44.6
AXD8025V24M-K5	24	0.26	6.24	5000	67.5	1.911	11.6	0.457	49.8
AXD8025V24H-K5	24	0.35	8.4	5500	72.8	2.061	14	0.551	52

DC Axial Fan

80x80x25mm - E Type

- Housing: Plastic (Flammability:UL94V-0)
- Impeller: Plastic (Flammability:UL94V-0)
- Bearing: Ball Type
- Protection: IP68/GR487
- Certification: CE, RoHS
- Additional functions are optional



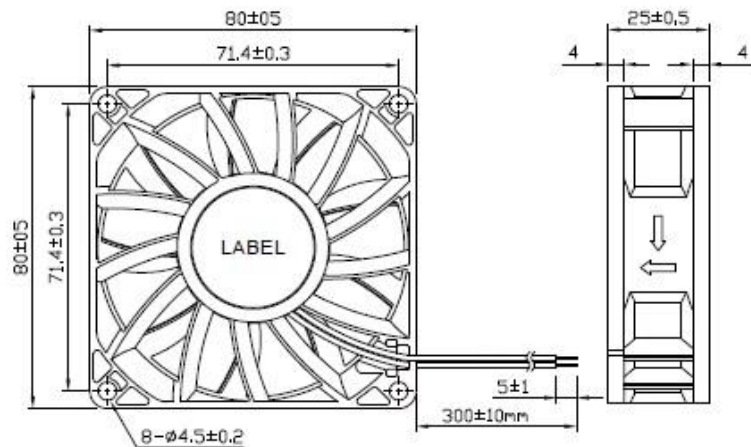
Model	Voltage	Current	Power	Speed	Air Flow		Pressure		Noise
	VDC	Amp	Watt	RPM	CFM	m3/min	mmH2O	InH2O	dB(A)
AXD8025V48LR-K5	48	0.06	2.88	3000	41.7	1.18	4.25	0.167	35.7
AXD8025V48L-K5	48	0.12	5.76	4000	54.5	1.543	7.35	0.289	44.6
AXD8025V48M-K5	48	0.17	8.16	5000	67.5	1.911	11.6	0.457	49.8
AXD8025V48H-K5	48	0.22	10.56	5500	72.8	2.061	14	0.551	52

DC Axial Fan

80x80x25mm - E Type

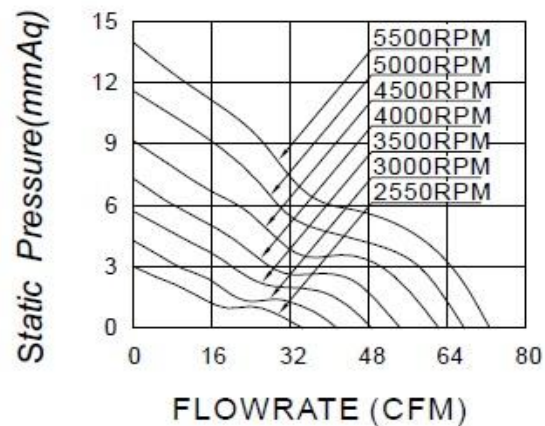
- Dimension:

Unit: mm



UNIT: $\frac{\text{mm}}{(\text{INCH})}$

- Performance:



DC Axial Fan

80x80x32mm

- Housing: Plastic (Flammability:UL94V-0)
- Impeller: Plastic (Flammability:UL94V-0)
- Bearing: Ball Type
- Protection: IP68/GR487
- Certification: CE, RoHS
- Additional functions are optional



Model	Voltage	Current	Power	Speed	Air Flow		Pressure		Noise
	VDC	Amp	Watt	RPM	CFM	m3/min	mmH2O	InH2O	dB(A)
AXD8032V12LW-K	12	0.4	4.8	4000	49.9	1.413	8.51	0.335	46.8
AXD8032V12LR-K	12	0.68	8.16	5000	61.3	1.736	11.63	0.458	50.3
AXD8032V12L-K	12	0.96	11.5	6000	75.5	2.138	16.78	0.661	52
AXD8032V12M-K	12	1.24	14.9	7000	88.9	2.518	22.39	0.881	54.2
AXD8032V12H-K	12	1.51	18.2	8000	100.8	2.856	29.53	1.163	61.2
AXD8032V12HR-K	12	1.84	22.1	8500	107.1	3.034	32.9	1.295	63.5

DC Axial Fan

80x80x32mm

- Housing: Plastic (Flammability:UL94V-0)
- Impeller: Plastic (Flammability:UL94V-0)
- Bearing: Ball Type
- Protection: IP68/GR487
- Certification: CE, RoHS
- Additional functions are optional



Model	Voltage	Current	Power	Speed	Air Flow		Pressure		Noise
	VDC	Amp	Watt	RPM	CFM	m3/min	mmH2O	InH2O	dB(A)
AXD8032V24LW-K	24	0.2	4.8	4000	49.9	1.413	8.51	0.335	46.8
AXD8032V24LR-K	24	0.34	8.16	5000	61.3	1.736	11.63	0.458	50.3
AXD8032V24L-K	24	0.48	11.5	6000	75.5	2.138	16.78	0.661	52
AXD8032V24M-K	24	0.62	14.9	7000	88.9	2.518	22.39	0.881	54.2
AXD8032V24H-K	24	0.76	18.2	8000	100.8	2.856	29.53	1.163	61.2
AXD8032V24HR-K	24	0.92	22.1	8500	107.1	3.034	32.9	1.295	63.5

DC Axial Fan

80x80x32mm

- Housing: Plastic (Flammability:UL94V-0)
- Impeller: Plastic (Flammability:UL94V-0)
- Bearing: Ball Type
- Protection: IP68/GR487
- Certification: CE, RoHS
- Additional functions are optional

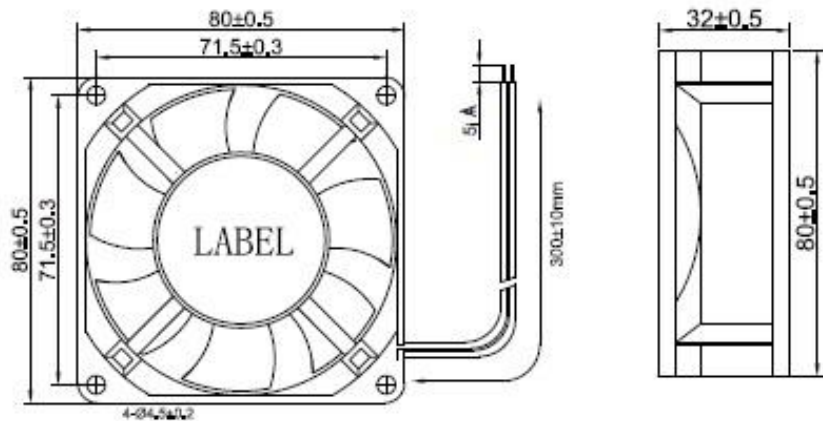


Model	Voltage	Current	Power	Speed	Air Flow		Pressure		Noise
	VDC	Amp	Watt	RPM	CFM	m3/min	mmH2O	InH2O	dB(A)
AXD8032V48LW-K	48	0.1	4.8	4000	49.9	1.413	8.51	0.335	46.8
AXD8032V48LR-K	48	0.17	8.16	5000	61.3	1.736	11.63	0.458	50.3
AXD8032V48L-K	48	0.24	11.5	6000	75.5	2.138	16.78	0.661	52
AXD8032V48M-K	48	0.31	14.9	7000	88.9	2.518	22.39	0.881	54.2
AXD8032V48H-K	48	0.38	18.2	8000	100.8	2.856	29.53	1.163	61.2
AXD8032V48HR-K	48	0.46	22.1	8500	107.1	3.034	32.9	1.295	63.5

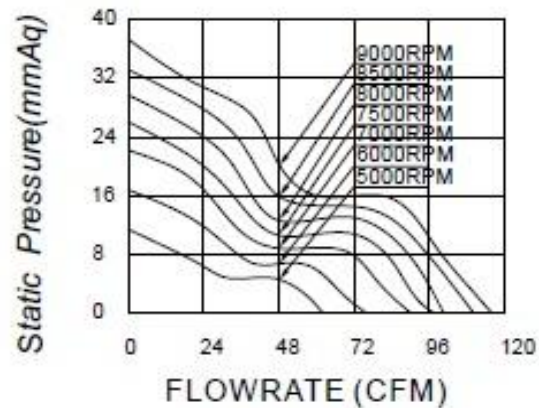
DC Axial Fan

80x80x32mm

- Dimension:
Unit: mm



- Performance:



DC Axial Fan

80x80x38mm - B Type

- Housing: Plastic (Flammability:UL94V-0)
- Impeller: Plastic (Flammability:UL94V-0)
- Bearing: Ball Type
- Protection: IP68/GR487
- Certification: CE, RoHS
- Additional functions are optional



Model	Voltage	Current	Power	Speed	Air Flow		Pressure		Noise
	VDC	Amp	Watt	RPM	CFM	m3/min	mmH2O	InH2O	dB(A)
AXD8038V12XL-K2	12	0.36	4.32	5000	66.46	1.882	12.65	0.498	46.6
AXD8038V12LW-K2	12	0.68	8.16	6000	79.1	2.24	18.22	0.717	51.4
AXD8038V12LR-K2	12	1	12	6500	85.3	2.416	20.49	0.807	54
AXD8038V12L-K2	12	1.32	15.8	7000	93.3	2.643	24.53	0.966	57.1
AXD8038V12M-K2	12	1.64	19.7	8000	105.6	2.99	32.03	1.261	60.2

DC Axial Fan

80x80x38mm - B Type

- Housing: Plastic (Flammability:UL94V-0)
- Impeller: Plastic (Flammability:UL94V-0)
- Bearing: Ball Type
- Protection: IP68/GR487
- Certification: CE, RoHS
- Additional functions are optional



Model	Voltage	Current	Power	Speed	Air Flow		Pressure		Noise
	VDC	Amp	Watt	RPM	CFM	m3/min	mmH2O	InH2O	dB(A)
AXD8038V12H-K2	12	2.04	24.5	8500	113.3	3.209	36.43	1.434	61.9
AXD8038V12HR-K2	12	2.36	28.3	9000	120.4	3.41	40.34	1.588	63.9
AXD8038V12HH-K2	12	2.68	32.2	9500	128.0	3.625	45.21	1.78	64.7
AXD8038V12XH-K2	12	3	36	10000	134.0	3.794	50.02	1.969	66.6

DC Axial Fan

80x80x38mm - B Type

- Housing: Plastic (Flammability:UL94V-0)
- Impeller: Plastic (Flammability:UL94V-0)
- Bearing: Ball Type
- Protection: IP68/GR487
- Certification: CE, RoHS
- Additional functions are optional



Model	Voltage	Current	Power	Speed	Air Flow		Pressure		Noise
	VDC	Amp	Watt	RPM	CFM	m3/min	mmH2O	InH2O	dB(A)
AXD8038V24XL-K2	24	0.18	4.32	5000	66.5	1.882	12.65	0.498	46.6
AXD8038V24LW-K 2	24	0.34	8.16	6000	79.1	2.24	18.22	0.717	51.4
AXD8038V24LR-K2	24	0.5	12	6500	85.3	2.416	20.49	0.807	54
AXD8038V24L-K2	24	0.66	15.8	7000	93.3	2.643	24.53	0.966	57.1
AXD8038V24M-K2	24	0.82	19.7	8000	105.6	2.99	32.03	1.261	60.2

DC Axial Fan

80x80x38mm - B Type

- Housing: Plastic (Flammability:UL94V-0)
- Impeller: Plastic (Flammability:UL94V-0)
- Bearing: Ball Type
- Protection: IP68/GR487
- Certification: CE, RoHS
- Additional functions are optional



Model	Voltage	Current	Power	Speed	Air Flow		Pressure		Noise
	VDC	Amp	Watt	RPM	CFM	m3/min	mmH2O	InH2O	dB(A)
AXD8038V24H-K2	24	1.02	24.5	8500	113.3	3.209	36.43	1.434	61.9
AXD8038V24HR-K2	24	1.18	28.3	9000	120.4	3.41	40.34	1.588	63.9
AXD8038V24HH-K 2	24	1.34	32.2	9500	128.0	3.625	45.21	1.78	64.7
AXD8038V24XH-K2	24	1.5	36	10000	134.0	3.794	50.02	1.969	66.6

DC Axial Fan

80x80x38mm - B Type

- Housing: Plastic (Flammability:UL94V-0)
- Impeller: Plastic (Flammability:UL94V-0)
- Bearing: Ball Type
- Protection: IP68/GR487
- Certification: CE, RoHS
- Additional functions are optional



Model	Voltage	Current	Power	Speed	Air Flow		Pressure		Noise
	VDC	Amp	Watt	RPM	CFM	m3/min	mmH2O	InH2O	dB(A)
AXD8038V48XL-K2	48	0.09	4.32	5000	66.5	1.882	12.65	0.498	46.6
AXD8038V48LW-K2	48	0.17	8.16	6000	79.1	2.24	18.22	0.717	51.4
AXD8038V48LR-K2	48	0.25	12	6500	85.3	2.416	20.49	0.807	54
AXD8038V48L-K2	48	0.33	15.8	7000	93.3	2.643	24.53	0.966	57.1
AXD8038V48M-K2	48	0.41	19.7	8000	105.6	2.99	32.03	1.261	60.2

DC Axial Fan

80x80x38mm - B Type

- Housing: Plastic (Flammability:UL94V-0)
- Impeller: Plastic (Flammability:UL94V-0)
- Bearing: Ball Type
- Protection: IP68/GR487
- Certification: CE, RoHS
- Additional functions are optional



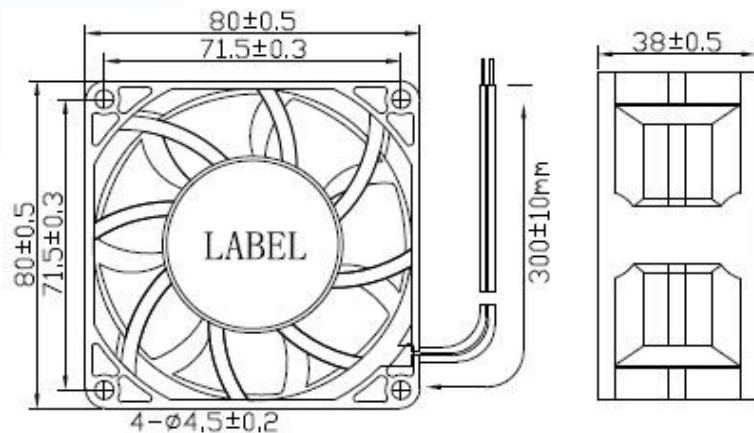
Model	Voltage	Current	Power	Speed	Air Flow		Pressure		Noise
	VDC	Amp	Watt	RPM	CFM	m3/min	mmH2O	InH2O	dB(A)
AXD8038V48H-K2	48	0.51	24.5	8500	113.3	3.209	36.43	1.434	61.9
AXD8038V48HR-K2	48	0.59	28.3	9000	120.4	3.41	40.34	1.588	63.9
AXD8038V48HH-K 2	48	0.67	32.2	9500	128.0	3.625	45.21	1.78	64.7
AXD8038V48XH-K2	48	0.75	36	10000	134.0	3.794	50.02	1.969	66.6

DC Axial Fan

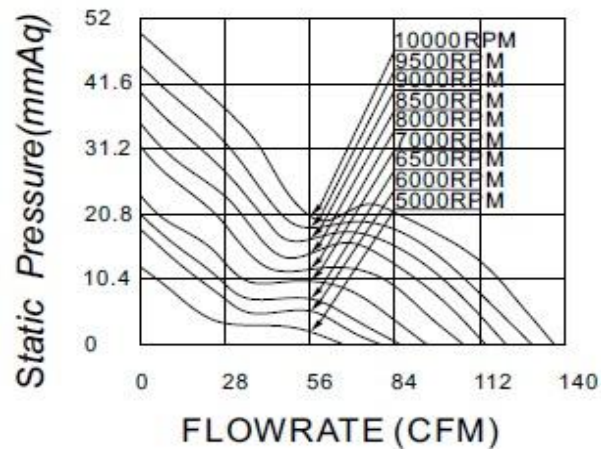
80x80x38mm - B Type

- Dimension:

Unit: mm



- Performance:



DC Axial Fan

80x80x38mm - C Type

- Housing: Plastic (Flammability:UL94V-0)
- Impeller: Plastic (Flammability:UL94V-0)
- Bearing: Ball Type
- Protection: IP68/GR487
- Certification: CE, RoHS
- Additional functions are optional



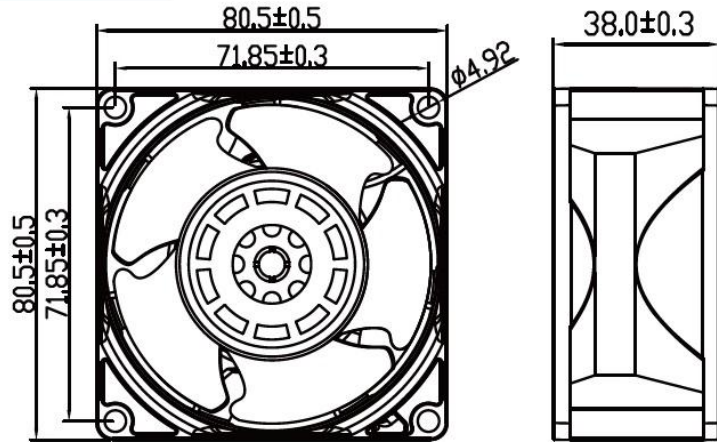
Model	Voltage	Current	Power	Speed	Air Flow		Pressure		Noise
	VDC	Amp	Watt	RPM	CFM	m3/min	mmH2O	InH2O	dB(A)
AXD8038V12HR-K3	12	3.6	43.2	15000	129.22	3.66	127	5	70
AXD8038V24HR-K3	24	1.8	43.2	15000	129.22	3.66	127	5	70
AXD8038V48HR-K3	48	0.9	43.2	15000	129.22	3.66	127	5	70

DC Axial Fan

80x80x38mm - C Type

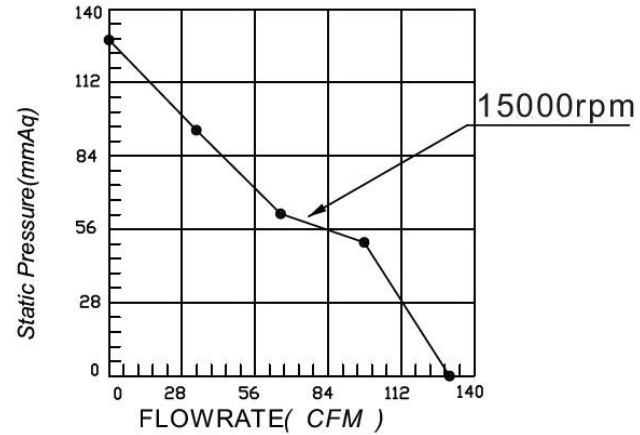
- Dimension:

Unit: mm



UNIT: $\frac{\text{mm}}{\text{(INCH)}}$

- Performance:



DC Axial Fan

92x92x25mm

- Housing: Plastic (Flammability:UL94V-0)
- Impeller: Plastic (Flammability:UL94V-0)
- Bearing: Ball Type
- Protection: IP68/GR487
- Certification: CE, RoHS
- Additional functions are optional



Model	Voltage	Current	Power	Speed	Air Flow		Pressure		Noise
	VDC	Amp	Watt	RPM	CFM	m3/min	mmH2O	InH2O	dB(A)
AXD9225V12LW-K	12	0.12	1.44	2000	31.90	0.905	2.01	0.079	27.5
AXD9225V12LR-K	12	0.16	1.92	2500	38.30	1.086	2.92	0.115	33.7
AXD9225V12L-K	12	0.2	2.4	3000	49.00	1.389	4.11	0.162	39.1
AXD9225V12M-K	12	0.24	2.88	3500	54.80	1.554	4.99	0.196	42.4
AXD9225V12H-K	12	0.32	3.84	4000	66.20	1.875	6.78	0.267	46.4
AXD9225V12HR-K	12	0.44	5.28	4500	73.90	2.094	8.32	0.328	50.1

DC Axial Fan

92x92x25mm

- Housing: Plastic (Flammability:UL94V-0)
- Impeller: Plastic (Flammability:UL94V-0)
- Bearing: Ball Type
- Protection: IP68/GR487
- Certification: CE, RoHS
- Additional functions are optional



Model	Voltage	Current	Power	Speed	Air Flow		Pressure		Noise
	VDC	Amp	Watt	RPM	CFM	m3/min	mmH2O	InH2O	dB(A)
AXD9225V24LW-K	24	0.06	1.44	2000	31.90	0.905	2.01	0.079	27.5
AXD9225V24LR-K	24	0.08	1.92	2500	38.30	1.086	2.92	0.115	33.7
AXD9225V24L-K	24	0.1	2.4	3000	49.00	1.389	4.11	0.162	39.1
AXD9225V24M-K	24	0.12	2.88	3500	54.80	1.554	4.99	0.196	42.4
AXD9225V24H-K	24	0.16	3.84	4000	66.20	1.875	6.78	0.267	46.4
AXD9225V24HR-K	24	0.22	5.28	4500	73.90	2.094	8.32	0.328	50.1

DC Axial Fan

92x92x25mm

- Housing: Plastic (Flammability:UL94V-0)
- Impeller: Plastic (Flammability:UL94V-0)
- Bearing: Ball Type
- Protection: IP68/GR487
- Certification: CE, RoHS
- Additional functions are optional



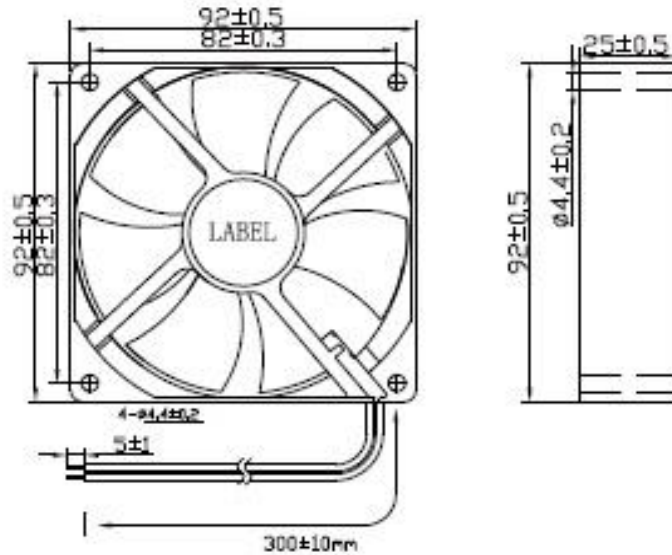
Model	Voltage	Current	Power	Speed	Air Flow		Pressure		Noise
	VDC	Amp	Watt	RPM	CFM	m3/min	mmH2O	InH2O	dB(A)
AXD9225V48LW-K	48	0.03	1.44	2000	31.90	0.905	2.01	0.079	27.5
AXD9225V48LR-K	48	0.04	1.92	2500	38.30	1.086	2.92	0.115	33.7
AXD9225V48L-K	48	0.05	2.4	3000	49.00	1.389	4.11	0.162	39.1
AXD9225V48M-K	48	0.06	2.88	3500	54.80	1.554	4.99	0.196	42.4
AXD9225V48H-K	48	0.08	3.84	4000	66.20	1.875	6.78	0.267	46.4
AXD9225V48HR-K	48	0.11	5.28	4500	73.90	2.094	8.32	0.328	50.1

DC Axial Fan

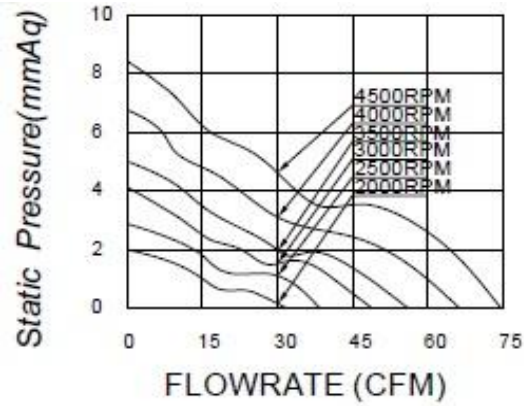
92x92x25mm

- Dimension:

Unit: mm



- Performance:



DC Axial Fan

92x92x25mm - E Type

- Housing: Plastic (Flammability:UL94V-0)
- Impeller: Plastic (Flammability:UL94V-0)
- Bearing: Ball Type
- Protection: IP68/GR487
- Certification: CE, RoHS
- Additional functions are optional



Model	Voltage	Current	Power	Speed	Air Flow		Pressure		Noise
	VDC	Amp	Watt	RPM	CFM	m3/min	mmH2O	InH2O	dB(A)
AXD9225V12LW-K5	12	0.1	1.2	2500	45.70	1.295	3.41	0.134	29.7
AXD9225V12LR-K5	12	0.15	1.8	3000	54.60	1.546	4.98	0.196	34.3
AXD9225V12L-K5	12	0.18	2.16	3500	62.00	1.758	6.37	0.251	39.3
AXD9225V12M-K5	12	0.27	3.24	4000	67.70	1.919	7.99	0.315	41.9
AXD9225V12H-K5	12	0.43	5.16	4500	80.00	2.266	11.5	0.453	45
AXD9225V12HR-K5	12	0.47	5.64	5000	89.10	2.525	12.48	0.491	48

DC Axial Fan

92x92x25mm - E Type

- Housing: Plastic (Flammability:UL94V-0)
- Impeller: Plastic (Flammability:UL94V-0)
- Bearing: Ball Type
- Protection: IP68/GR487
- Certification: CE, RoHS
- Additional functions are optional



Model	Voltage	Current	Power	Speed	Air Flow		Pressure		Noise
	VDC	Amp	Watt	RPM	CFM	m3/min	mmH2O	InH2O	dB(A)
AXD9225V24LW-K5	24	0.05	1.2	2500	45.70	1.295	3.41	0.134	29.7
AXD9225V24LR-K5	24	0.08	1.92	3000	54.60	1.546	4.98	0.196	34.3
AXD9225V24L-K5	24	0.09	2.16	3500	62.00	1.758	6.37	0.251	39.3
AXD9225V24M-K5	24	0.14	3.36	4000	67.70	1.919	7.99	0.315	41.9
AXD9225V24H-K5	24	0.22	5.28	4500	80.00	2.266	11.5	0.453	45
AXD9225V24HR-K5	24	0.24	5.76	5000	89.10	2.525	12.48	0.491	48

DC Axial Fan

92x92x25mm - E Type

- Housing: Plastic (Flammability:UL94V-0)
- Impeller: Plastic (Flammability:UL94V-0)
- Bearing: Ball Type
- Protection: IP68/GR487
- Certification: CE, RoHS
- Additional functions are optional



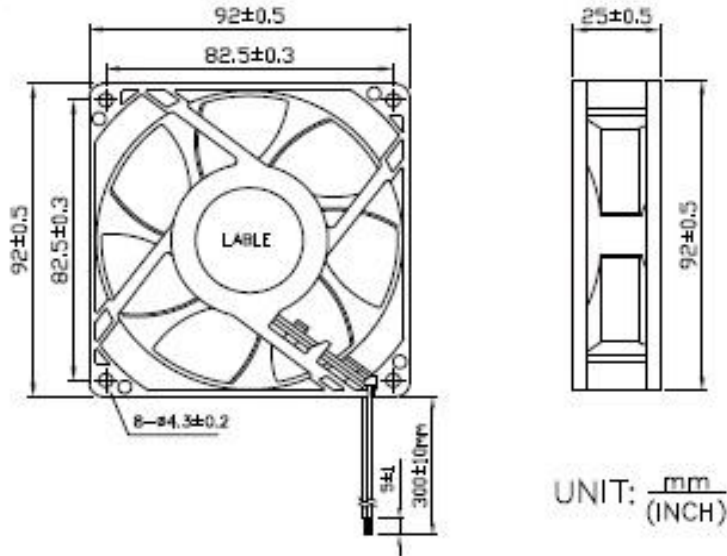
Model	Voltage	Current	Power	Speed	Air Flow		Pressure		Noise
	VDC	Amp	Watt	RPM	CFM	m3/min	mmH2O	InH2O	dB(A)
AXD9225V48LW-K5	48	0.03	1.44	2500	45.70	1.295	3.41	0.134	29.7
AXD9225V48LR-K5	48	0.04	1.92	3000	54.60	1.546	4.98	0.196	34.3
AXD9225V48L-K5	48	0.05	2.4	3500	62.00	1.758	6.37	0.251	39.3
AXD9225V48M-K5	48	0.07	3.36	4000	67.70	1.919	7.99	0.315	41.9
AXD9225V48H-K5	48	0.11	5.28	4500	80.00	2.266	11.5	0.453	45
AXD9225V48HR-K5	48	0.12	5.76	5000	89.10	2.525	12.48	0.491	48

DC Axial Fan

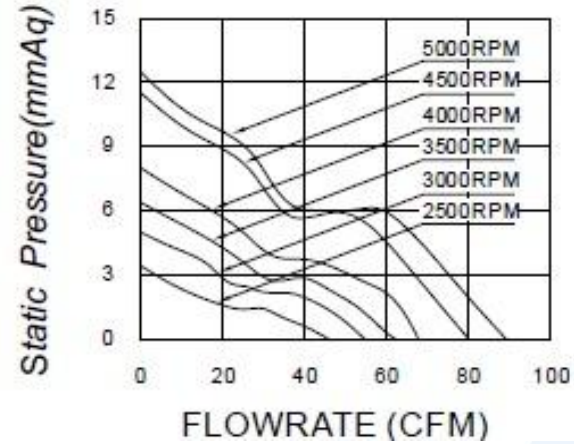
92x92x25mm - E Type

- Dimension:

Unit: mm



- Performance:



DC Axial Fan

92x92x38mm

- Housing: Plastic (Flammability:UL94V-0)
- Impeller: Plastic (Flammability:UL94V-0)
- Bearing: Ball Type
- Protection: IP68/GR487
- Certification: CE, RoHS
- Additional functions are optional



Model	Voltage	Current	Power	Speed	Air Flow		Pressure		Noise
	VDC	Amp	Watt	RPM	CFM	m3/min	mmH2O	InH2O	dB(A)
AXD9238V12LR-K	12	0.5	6	3500	70.86	2.007	8.25	0.325	48
AXD9238V12L-K	12	0.9	10.8	4500	94.09	2.665	14.26	0.561	55.1
AXD9238V12M-K	12	1.2	14.4	5500	112.02	3.172	20.24	0.797	61.5
AXD9238V12H-K	12	1.6	19.2	6500	133.04	3.768	24.87	0.979	65.6
AXD9238V12HR-K	12	2.1	25.2	7000	144.26	4.086	30.88	1.216	66.2

DC Axial Fan

92x92x38mm

- Housing: Plastic (Flammability:UL94V-0)
- Impeller: Plastic (Flammability:UL94V-0)
- Bearing: Ball Type
- Protection: IP68/GR487
- Certification: CE, RoHS
- Additional functions are optional



Model	Voltage	Current	Power	Speed	Air Flow		Pressure		Noise
	VDC	Amp	Watt	RPM	CFM	m3/min	mmH2O	InH2O	dB(A)
AXD9238V24LR-K	24	0.25	6	3500	70.86	2.007	8.25	0.325	48
AXD9238V24L-K	24	0.45	10.8	4500	94.09	2.665	14.26	0.561	55.1
AXD9238V24M-K	24	0.6	14.4	5500	112.02	3.172	20.24	0.797	61.5
AXD9238V24H-K	24	0.8	19.2	6500	133.04	3.768	24.87	0.979	65.6
AXD9238V24HR-K	24	1.05	25.2	7000	144.26	4.086	30.88	1.216	66.2

DC Axial Fan

92x92x38mm

- Housing: Plastic (Flammability:UL94V-0)
- Impeller: Plastic (Flammability:UL94V-0)
- Bearing: Ball Type
- Protection: IP68/GR487
- Certification: CE, RoHS
- Additional functions are optional



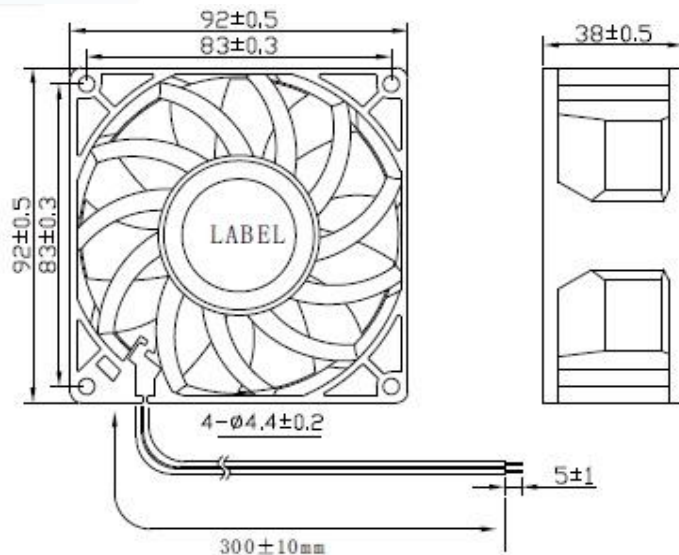
Model	Voltage	Current	Power	Speed	Air Flow		Pressure		Noise
	VDC	Amp	Watt	RPM	CFM	m3/min	mmH2O	InH2O	dB(A)
AXD9238V48LR-K	48	0.13	6	3500	70.86	2.007	8.25	0.325	48
AXD9238V48L-K	48	0.23	10.8	4500	94.09	2.665	14.26	0.561	55.1
AXD9238V48M-K	48	2.36	14.4	5500	112.02	3.172	20.24	0.797	61.5
AXD9238V48H-K	48	0.4	19.2	6500	133.04	3.768	24.87	0.979	65.6
AXD9238V48HR-K	48	0.53	25.2	7000	144.26	4.086	30.88	1.216	66.2

DC Axial Fan

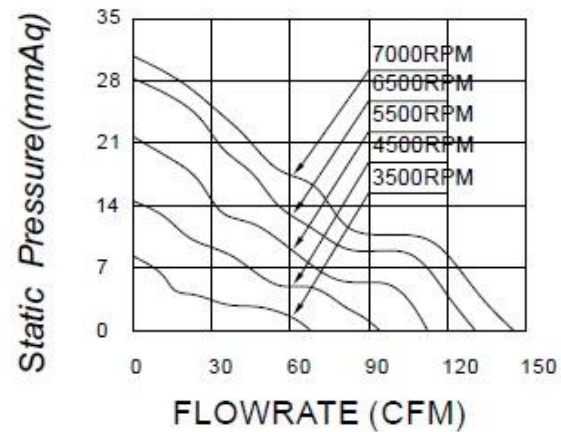
92x92x38mm

- Dimension:

Unit: mm



- Performance:



DC Axial Fan

Ø92x38mm - E Type

- Housing: Plastic (Flammability:UL94V-0)
- Impeller: Plastic (Flammability:UL94V-0)
- Bearing: Ball Type
- Protection: IP68/GR487
- Certification: CE, RoHS
- Additional functions are optional



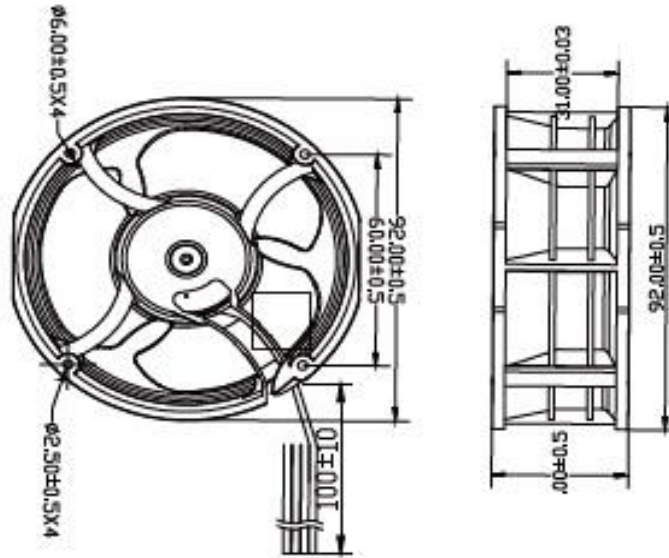
Model	Voltage	Current	Power	Speed	Air Flow		Pressure		Noise
	VDC	Amp	Watt	RPM	CFM	m3/min	mmH2O	InH2O	dB(A)
AXD9238V12L-K5	12	0.17	2	5500	42.4	1.2	15	0.591	43
AXD9238V24L-K5	24	0.09	2.2	5500	42.4	1.2	15	0.591	43

DC Axial Fan

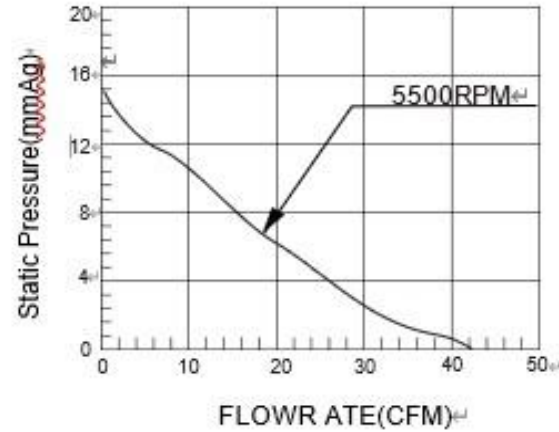
Ø92x38mm - E Type

- Dimension:

Unit: mm



- Performance:



DC Axial Fan

Ø92x38mm - F Type

- Housing: Plastic (Flammability:UL94V-0)
- Impeller: Plastic (Flammability:UL94V-0)
- Bearing: Ball Type
- Protection: IP68/GR487
- Certification: CE, RoHS
- Additional functions are optional



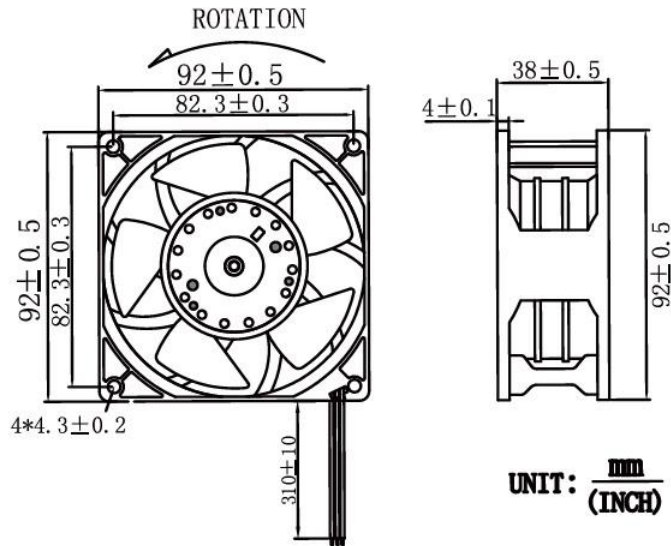
Model	Voltage	Current	Power	Speed	Air Flow		Pressure		Noise
	VDC	Amp	Watt	RPM	CFM	m3/min	mmH2O	InH2O	dB(A)
AXD9238V12H-K6	12	3.5	42	11000	184.2	5.22	71.9	2.832	70.5
AXD9238V24H-K6	24	1.75	42	11000	184.2	5.22	71.9	2.832	70.5
AXD9238V48H-K6	48	0.875	42	11000	184.2	5.22	71.9	2.832	70.5

DC Axial Fan

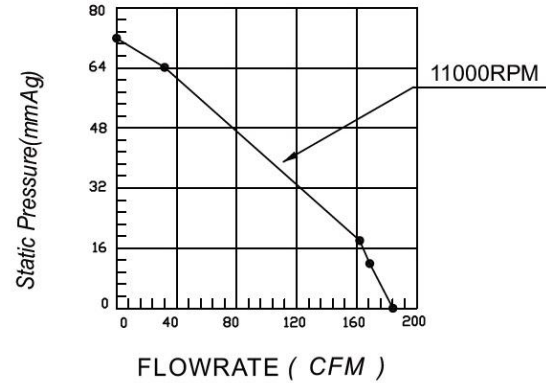
Ø92x38mm - F Type

- Dimension:

Unit: mm



- Performance:



DC Axial Fan

120x120x38mm

- Housing: Plastic (Flammability:UL94V-0)
- Impeller: Plastic (Flammability:UL94V-0)
- Bearing: Ball Type
- Protection: IP68/GR487
- Certification: CE, RoHS
- Additional functions are optional



Model	Voltage	Current	Power	Speed	Air Flow		Pressure		Noise
	VDC	Amp	Watt	RPM	CFM	m3/min	mmH2O	InH2O	dB(A)
AXD12038V12LW-K	12	0.3	3.6	2500	96.55	2.734	5.91	0.233	43.4
AXD12038V12LR-K	12	0.6	7.2	3000	111.26	3.151	8.66	0.341	47.7
AXD12038V12L-K	12	0.9	10.8	3500	132.14	3.742	11.94	0.47	52.8
AXD12038V12M-K	12	1.2	14.4	4000	152.89	4.33	15.46	0.609	54.5
AXD12038V12H-K	12	1.5	18	4500	169.37	4.797	19.73	0.777	58.1
AXD12038V12HR-K	12	1.8	21.6	5000	189.97	5.38	24.4	0.961	62.1
AXD12038V12HH-K	12	2	24	5500	209.92	5.945	29.28	1.153	65.2

DC Axial Fan

120x120x38mm

- Housing: Plastic (Flammability:UL94V-0)
- Impeller: Plastic (Flammability:UL94V-0)
- Bearing: Ball Type
- Protection: IP68/GR487
- Certification: CE, RoHS
- Additional functions are optional



Model	Voltage	Current	Power	Speed	Air Flow		Pressure		Noise
	VDC	Amp	Watt	RPM	CFM	m3/min	mmH2O	InH2O	dB(A)
AXD12038V24LW-K	24	0.15	3.6	2500	96.55	2.734	5.91	0.233	43.4
AXD12038V24LR-K	24	0.3	7.2	3000	111.26	3.151	8.66	0.341	47.7
AXD12038V24L-K	24	0.45	10.8	3500	132.14	3.742	11.94	0.47	52.8
AXD12038V24M-K	24	0.6	14.4	4000	152.89	4.33	15.46	0.609	54.5
AXD12038V24H-K	24	0.75	18	4500	169.37	4.797	19.73	0.777	58.1
AXD12038V24HR-K	24	0.9	21.6	5000	189.97	5.38	24.4	0.961	62.1
AXD12038V24HH-K	24	1	24	5500	209.92	5.945	29.28	1.153	65.2

DC Axial Fan

120x120x38mm

- Housing: Plastic (Flammability:UL94V-0)
- Impeller: Plastic (Flammability:UL94V-0)
- Bearing: Ball Type
- Protection: IP68/GR487
- Certification: CE, RoHS
- Additional functions are optional



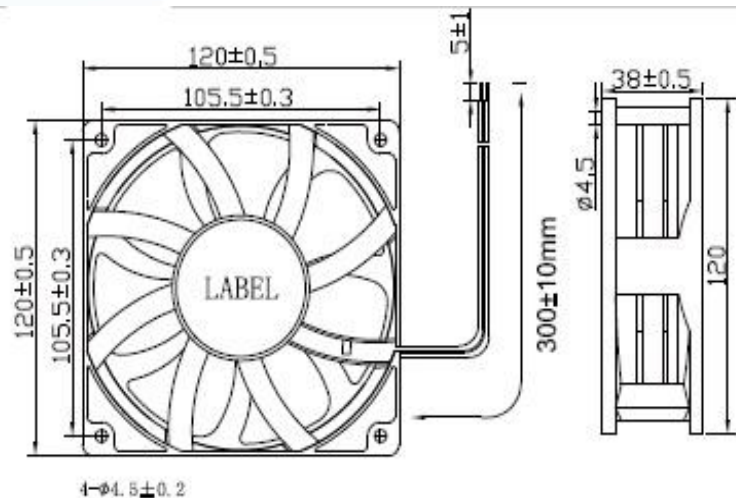
Model	Voltage	Current	Power	Speed	Air Flow		Pressure		Noise
	VDC	Amp	Watt	RPM	CFM	m3/min	mmH2O	InH2O	dB(A)
AXD12038V48LW-K	48	0.075	3.6	2500	96.55	2.734	5.91	0.233	43.4
AXD12038V48LR-K	48	0.15	7.2	3000	111.26	3.151	8.66	0.341	47.7
AXD12038V48L-K	48	0.225	10.8	3500	132.14	3.742	11.94	0.47	52.8
AXD12038V48M-K	48	0.3	14.4	4000	152.89	4.33	15.46	0.609	54.5
AXD12038V48H-K	48	0.375	18	4500	169.37	4.797	19.73	0.777	58.1
AXD12038V48HR-K	48	0.45	21.6	5000	189.97	5.38	24.4	0.961	62.1
AXD12038V48HH-K	48	0.5	24	5500	209.92	5.945	29.28	1.153	65.2

DC Axial Fan

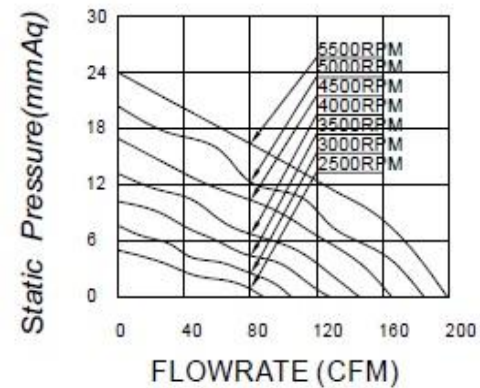
120x120x38mm

- Dimension:

Unit: mm



- Performance:



DC Axial Fan

120x120x38mm - B Type

- Housing: Plastic (Flammability:UL94V-0)
- Impeller: Plastic (Flammability:UL94V-0)
- Bearing: Ball Type
- Protection: IP68/GR487
- Certification: CE, RoHS
- Additional functions are optional



Model	Voltage	Current	Power	Speed	Air Flow		Pressure		Noise
	VDC	Amp	Watt	RPM	CFM	m3/min	mmH2O	InH2O	dB(A)
AXD12038V12LW-K2	12	0.35	4.2	2500	108.28	3.067	7.16	0.282	52.4
AXD12038V12LR-K2	12	0.85	10.2	3000	131.62	3.728	10.43	0.411	56
AXD12038V12L-K2	12	1.38	16.6	3500	157.40	4.458	14.2	0.559	57.6
AXD12038V12M-K2	12	1.9	22.8	4000	179.80	5.092	18.15	0.715	62.4
AXD12038V12H-K2	12	2.4	28.8	4500	200.78	5.686	22.96	0.904	66.7
AXD12038V12HR-K2	12	2.8	33.6	5000	225.59	6.389	28.02	1.103	69.8
AXD12038V12HH-K2	12	3	36	5500	248.46	7.037	33.14	1.305	71.9

DC Axial Fan

120x120x38mm - B Type

- Housing: Plastic (Flammability:UL94V-0)
- Impeller: Plastic (Flammability:UL94V-0)
- Bearing: Ball Type
- Protection: IP68/GR487
- Certification: CE, RoHS
- Additional functions are optional



Model	Voltage	Current	Power	Speed	Air Flow		Pressure		Noise
	VDC	Amp	Watt	RPM	CFM	m3/min	mmH2O	InH2O	dB(A)
AXD12038V24LW-K2	24	0.175	4.2	2500	108.28	3.067	7.16	0.282	52.4
AXD12038V24LR-K2	24	0.425	10.2	3000	131.62	3.728	10.43	0.411	56
AXD12038V24L-K2	24	0.7	16.6	3500	157.40	4.458	14.2	0.559	57.6
AXD12038V24M-K2	24	0.95	22.8	4000	179.80	5.092	18.15	0.715	62.4
AXD12038V24H-K2	24	1.2	28.8	4500	200.78	5.686	22.96	0.904	66.7
AXD12038V24HR-K2	24	1.4	33.6	5000	225.59	6.389	28.02	1.103	69.8
AXD12038V24HH-K2	24	1.5	36	5500	248.46	7.037	33.14	1.305	71.9

DC Axial Fan

120x120x38mm - B Type

- Housing: Plastic (Flammability:UL94V-0)
- Impeller: Plastic (Flammability:UL94V-0)
- Bearing: Ball Type
- Protection: IP68/GR487
- Certification: CE, RoHS
- Additional functions are optional



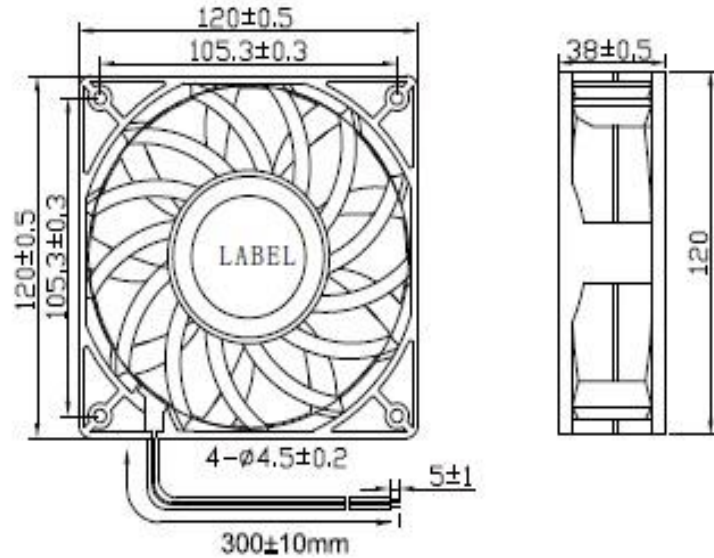
Model	Voltage	Current	Power	Speed	Air Flow		Pressure		Noise
	VDC	Amp	Watt	RPM	CFM	m3/min	mmH2O	InH2O	dB(A)
AXD12038V48LW-K2	48	0.09	4.2	2500	108.28	3.067	7.16	0.282	52.4
AXD12038V48LR-K2	48	0.21	10.2	3000	131.62	3.728	10.43	0.411	56
AXD12038V48L-K2	48	0.345	16.6	3500	157.40	4.458	14.2	0.559	57.6
AXD12038V48M-K2	48	0.475	22.8	4000	179.80	5.092	18.15	0.715	62.4
AXD12038V48H-K2	48	0.6	28.8	4500	200.78	5.686	22.96	0.904	66.7
AXD12038V48HR-K2	48	0.7	33.6	5000	225.59	6.389	28.02	1.103	69.8
AXD12038V48HH-K2	48	0.75	36	5500	248.46	7.037	33.14	1.305	71.9

DC Axial Fan

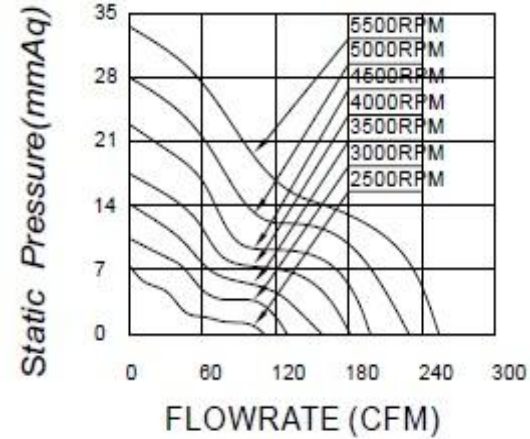
120x120x38mm - B Type

- Dimension:

Unit: mm



- Performance:



DC Axial Fan

120x120x38mm - F Type

- Housing: Plastic (Flammability:UL94V-0)
- Impeller: Plastic (Flammability:UL94V-0)
- Bearing: Ball Type
- Protection: IP68/GR487
- Certification: CE, RoHS
- Additional functions are optional



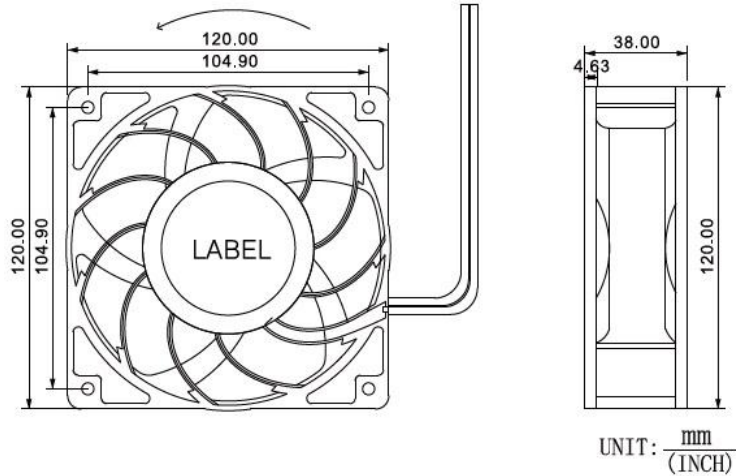
Model	Voltage	Current	Power	Speed	Air Flow		Pressure		Noise
	VDC	Amp	Watt	RPM	CFM	m3/min	mmH2O	InH2O	dB(A)
AXD12038V12H-K6	12	4.8	57.6	10000	259.2	7.34	72.6	2.86	73.4
AXD12038V12HR-K6	12	6	72	11000	289.2	8.18	73.1	2.88	75.3
AXD12038V24H-K6	24	2.4	57.6	10000	259.2	7.34	72.6	2.86	73.4
AXD12038V24HR-K6	24	3	72	11000	289.2	8.18	73.1	2.88	75.3
AXD12038V48H-K6	48	1.2	57.6	10000	259.2	7.34	72.6	2.86	73.4
AXD12038V48HR-K6	48	1.5	72	11000	289.2	8.18	73.1	2.88	75.3

DC Axial Fan

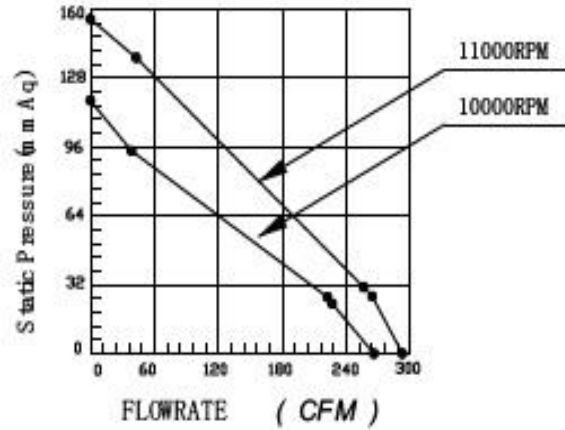
120x120x38mm - F Type

- Dimension:

Unit: mm



- Performance:





Change is a perpetual motion

Phone: +886-7-215-0001

Mobile: +886-938-016696

E-mail: service@cainton.com

Address: 9F.-1, No. 171,
Bizhong St., Yancheng Dist.,
Kaohsiung City 803002, Taiwan (R.O.C.)

www.cainton.com